

Swivel clamp connector joints

Aluminium

SPECIFICATION

Identification No.

No. **2**: with 3 Stainless Steel-Clamping screws DIN 912

Types

- Type **S**: stepless adjustment
- Type **T**: adjustment by 15°-division (serration)

Aluminium

plastic coated

black RAL 9005, textured finish **SW**

blank **BL**

matt shot-blasted

Clamping bores mechanically machined

Socket cap screws DIN 912

Stainless Steel AISI 304

Hexagon nuts DIN 985

Stainless Steel AISI 304



INFORMATION

GN 288 swivel clamp connector joints are an assembly of swivel clamp connectors GN 276 (see page 1852) and GN 278 (see page 1856) to create swivel clamp connector joints.

For the type with stepless adjustment (Type S) swivel clamp connectors with a centring step are used. Within the identical swivel width "b", all bores "d1/d2" can be combined as required. The clamping bores are mechanically machined and designed for construction tubes GN 990 (see page 1902) or DIN 2391, DIN 2395 and DIN 2462 respectively.

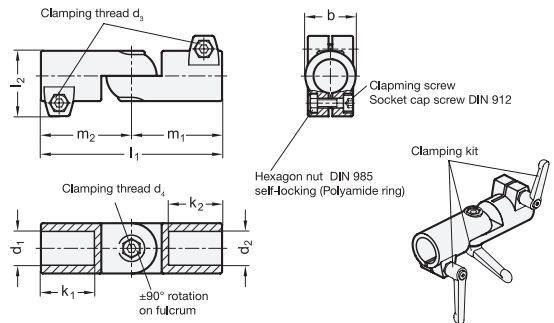
The standard version of the clamping screws are socket cap screws with hexagonal socket DIN 912. They can be replaced by adjustable clamping lever GN 911 (see page 1874) (see table of dimensions).

ACCESSORY

- Clamping kits GN 911 (see page 1874)

TECHNICAL INFORMATION

- Stainless Steel characteristics (see page A26)



* Complete with colour index of the Swivel clamp connector joints (SW or BL)

SW	BL
RAL9005	blank

GN 288

Description	d1	d2	b	d3	d4	k1	k2	l1	l2	l3	m1	m2	Clamping kits for d3	Clamping kits for d4	⚖
GN 288-B20-B20-S-2-*	B 20	B 20	40	M 8	M 8	42.5	40	147	52	40	43	72	GN 911-M8-32	GN 911-M8-35	410
GN 288-B20-B25-S-2-*	B 20	B 25	40	M 8	M 8	42.5	40	147	52	40	43	72	GN 911-M8-32	GN 911-M8-35	410
GN 288-B20-B30-S-2-*	B 20	B 30	40	M 8	M 8	42.5	40	147	52	40	43	72	GN 911-M8-32	GN 911-M8-35	350
GN 288-B25-B20-S-2-*	B 25	B 20	40	M 8	M 8	42.5	40	147	52	40	43	72	GN 911-M8-32	GN 911-M8-35	375
GN 288-B25-B25-S-2-*	B 25	B 25	40	M 8	M 8	42.5	40	147	52	40	43	72	GN 911-M8-32	GN 911-M8-35	375
GN 288-B25-B30-S-2-*	B 25	B 30	40	M 8	M 8	42.5	40	147	52	40	43	72	GN 911-M8-32	GN 911-M8-35	375
GN 288-B30-B20-S-2-*	B 30	B 20	40	M 8	M 8	42.5	40	147	52	40	43	72	GN 911-M8-32	GN 911-M8-35	325
GN 288-B30-B25-S-2-*	B 30	B 25	40	M 8	M 8	42.5	40	147	52	40	43	72	GN 911-M8-32	GN 911-M8-35	325
GN 288-B30-B30-S-2-*	B 30	B 30	40	M 8	M 8	42.5	40	147	52	40	43	72	GN 911-M8-32	GN 911-M8-35	325
GN 288-B40-B40-S-2-*	B 40	B 40	65	M 10	M 10	74	65	230	77.5	65	70	115	GN 911-M10-55	GN 911-M10-63	1500
GN 288-B40-B42-S-2-*	B 40	B 42	65	M 10	M 10	74	65	230	77.5	65	70	115	GN 911-M10-55	GN 911-M10-63	1500
GN 288-B40-B45-S-2-*	B 40	B 45	65	M 10	M 10	74	65	230	77.5	65	70	115	GN 911-M10-55	GN 911-M10-63	1500
GN 288-B40-B48-S-2-*	B 40	B 48	65	M 10	M 10	74	65	230	77.5	65	70	115	GN 911-M10-55	GN 911-M10-63	1500
GN 288-B40-B50-S-2-*	B 40	B 50	65	M 10	M 10	74	65	230	77.5	65	70	115	GN 911-M10-55	GN 911-M10-63	1490

* Complete with colour index of the Swivel clamp connector joints (SW or BL)

SW
RAL9005

BL
blank

GN 288

Description	d1	d2	b	d3	d4	k1	k2	l1	l2	l3	m1	m2	Clamping kits for d3	Clamping kits for d4	⚖️
GN 288-B42-B40-S-2-*	B 42	B 40	65	M 10	M 10	74	65	230	77.5	65	70	115	GN 911-M10-55	GN 911-M10-63	1470
GN 288-B42-B42-S-2-*	B 42	B 42	65	M 10	M 10	74	65	230	77.5	65	70	115	GN 911-M10-55	GN 911-M10-63	1465
GN 288-B42-B45-S-2-*	B 42	B 45	65	M 10	M 10	74	65	230	77.5	65	70	115	GN 911-M10-55	GN 911-M10-63	1460
GN 288-B42-B48-S-2-*	B 42	B 48	65	M 10	M 10	74	65	230	77.5	65	70	115	GN 911-M10-55	GN 911-M10-63	1455
GN 288-B42-B50-S-2-*	B 42	B 50	65	M 10	M 10	74	65	230	77.5	65	70	115	GN 911-M10-55	GN 911-M10-63	1450
GN 288-B45-B40-S-2-*	B 45	B 40	65	M 10	M 10	74	65	230	77.5	65	70	115	GN 911-M10-55	GN 911-M10-63	1410
GN 288-B45-B42-S-2-*	B 45	B 42	65	M 10	M 10	74	65	230	77.5	65	70	115	GN 911-M10-55	GN 911-M10-63	1405
GN 288-B45-B45-S-2-*	B 45	B 45	65	M 10	M 10	74	65	230	77.5	65	70	115	GN 911-M10-55	GN 911-M10-63	1400
GN 288-B45-B48-S-2-*	B 45	B 48	65	M 10	M 10	74	65	230	77.5	65	70	115	GN 911-M10-55	GN 911-M10-63	1395
GN 288-B45-B50-S-2-*	B 45	B 50	65	M 10	M 10	74	65	230	77.5	65	70	115	GN 911-M10-55	GN 911-M10-63	1390
GN 288-B48-B40-S-2-*	B 48	B 40	65	M 10	M 10	74	65	230	77.5	65	70	115	GN 911-M10-55	GN 911-M10-63	1270
GN 288-B48-B42-S-2-*	B 48	B 42	65	M 10	M 10	74	65	230	77.5	65	70	115	GN 911-M10-55	GN 911-M10-63	1265
GN 288-B48-B45-S-2-*	B 48	B 45	65	M 10	M 10	74	65	230	77.5	65	70	115	GN 911-M10-55	GN 911-M10-63	1260
GN 288-B48-B48-S-2-*	B 48	B 48	65	M 10	M 10	74	65	230	77.5	65	70	115	GN 911-M10-55	GN 911-M10-63	1255
GN 288-B48-B50-S-2-*	B 48	B 50	65	M 10	M 10	74	65	230	77.5	65	70	115	GN 911-M10-55	GN 911-M10-63	1250
GN 288-B50-B40-S-2-*	B 50	B 40	65	M 10	M 10	74	65	230	77.5	65	70	115	GN 911-M10-55	GN 911-M10-63	1275
GN 288-B50-B42-S-2-*	B 50	B 42	65	M 10	M 10	74	65	230	77.5	65	70	115	GN 911-M10-55	GN 911-M10-63	1275
GN 288-B50-B45-S-2-*	B 50	B 45	65	M 10	M 10	74	65	230	77.5	65	70	115	GN 911-M10-55	GN 911-M10-63	1270
GN 288-B50-B48-S-2-*	B 50	B 48	65	M 10	M 10	74	65	230	77.5	65	70	115	GN 911-M10-55	GN 911-M10-63	1275
GN 288-B50-B50-S-2-*	B 50	B 50	65	M 10	M 10	74	65	230	77.5	65	70	115	GN 911-M10-55	GN 911-M10-63	1275
GN 288-B20-B20-T-2-*	B 20	B 20	40	M 8	M 8	42.5	40	147	52	40	43	72	GN 911-M8-32	GN 911-M8-35	420
GN 288-B20-B25-T-2-*	B 20	B 25	40	M 8	M 8	42.5	40	147	52	40	43	72	GN 911-M8-32	GN 911-M8-35	420
GN 288-B20-B30-T-2-*	B 20	B 30	40	M 8	M 8	42.5	40	147	52	40	43	72	GN 911-M8-32	GN 911-M8-35	420
GN 288-B25-B20-T-2-*	B 25	B 20	40	M 8	M 8	42.5	40	147	52	40	43	72	GN 911-M8-32	GN 911-M8-35	380
GN 288-B25-B25-T-2-*	B 25	B 25	40	M 8	M 8	42.5	40	147	52	40	43	72	GN 911-M8-32	GN 911-M8-35	380
GN 288-B25-B30-T-2-*	B 25	B 30	40	M 8	M 8	42.5	40	147	52	40	43	72	GN 911-M8-32	GN 911-M8-35	375
GN 288-B30-B20-T-2-*	B 30	B 20	40	M 8	M 8	42.5	40	147	52	40	43	72	GN 911-M8-32	GN 911-M8-35	345
GN 288-B30-B25-T-2-*	B 30	B 25	40	M 8	M 8	42.5	40	147	52	40	43	72	GN 911-M8-32	GN 911-M8-35	340
GN 288-B30-B30-T-2-*	B 30	B 30	40	M 8	M 8	42.5	40	147	52	40	43	72	GN 911-M8-32	GN 911-M8-35	330
GN 288-B40-B40-T-2-*	B 40	B 40	65	M 10	M 10	74	65	230	77.5	65	70	115	GN 911-M10-55	GN 911-M10-63	1510
GN 288-B40-B42-T-2-*	B 40	B 42	65	M 10	M 10	74	65	230	77.5	65	70	115	GN 911-M10-55	GN 911-M10-63	1510
GN 288-B40-B45-T-2-*	B 40	B 45	65	M 10	M 10	74	65	230	77.5	65	70	115	GN 911-M10-55	GN 911-M10-63	1500
GN 288-B40-B48-T-2-*	B 40	B 48	65	M 10	M 10	74	65	230	77.5	65	70	115	GN 911-M10-55	GN 911-M10-63	1500
GN 288-B40-B50-T-2-*	B 40	B 50	65	M 10	M 10	74	65	230	77.5	65	70	115	GN 911-M10-55	GN 911-M10-63	1490
GN 288-B42-B40-T-2-*	B 42	B 40	65	M 10	M 10	74	65	230	77.5	65	70	115	GN 911-M10-55	GN 911-M10-63	1470
GN 288-B42-B42-T-2-*	B 42	B 42	65	M 10	M 10	74	65	230	77.5	65	70	115	GN 911-M10-55	GN 911-M10-63	1480
GN 288-B42-B45-T-2-*	B 42	B 45	65	M 10	M 10	74	65	230	77.5	65	70	115	GN 911-M10-55	GN 911-M10-63	1460
GN 288-B42-B48-T-2-*	B 42	B 48	65	M 10	M 10	74	65	230	77.5	65	70	115	GN 911-M10-55	GN 911-M10-63	1455
GN 288-B42-B50-T-2-*	B 42	B 50	65	M 10	M 10	74	65	230	77.5	65	70	115	GN 911-M10-55	GN 911-M10-63	1450
GN 288-B45-B40-T-2-*	B 45	B 40	65	M 10	M 10	74	65	230	77.5	65	70	115	GN 911-M10-55	GN 911-M10-63	1410
GN 288-B45-B42-T-2-*	B 45	B 42	65	M 10	M 10	74	65	230	77.5	65	70	115	GN 911-M10-55	GN 911-M10-63	1410
GN 288-B45-B45-T-2-*	B 45	B 45	65	M 10	M 10	74	65	230	77.5	65	70	115	GN 911-M10-55	GN 911-M10-63	1410
GN 288-B45-B48-T-2-*	B 45	B 48	65	M 10	M 10	74	65	230	77.5	65	70	115	GN 911-M10-55	GN 911-M10-63	1395
GN 288-B45-B50-T-2-*	B 45	B 50	65	M 10	M 10	74	65	230	77.5	65	70	115	GN 911-M10-55	GN 911-M10-63	1390
GN 288-B48-B40-T-2-*	B 48	B 40	65	M 10	M 10	74	65	230	77.5	65	70	115	GN 911-M10-55	GN 911-M10-63	1270
GN 288-B48-B42-T-2-*	B 48	B 42	65	M 10	M 10	74	65	230	77.5	65	70	115	GN 911-M10-55	GN 911-M10-63	1265
GN 288-B48-B45-T-2-*	B 48	B 45	65	M 10	M 10	74	65	230	77.5	65	70	115	GN 911-M10-55	GN 911-M10-63	1260
GN 288-B48-B48-T-2-*	B 48	B 48	65	M 10	M 10	74	65	230	77.5	65	70	115	GN 911-M10-55	GN 911-M10-63	1255
GN 288-B48-B50-T-2-*	B 48	B 50	65	M 10	M 10	74	65	230	77.5	65	70	115	GN 911-M10-55	GN 911-M10-63	1255
GN 288-B50-B40-T-2-*	B 50	B 40	65	M 10	M 10	74	65	230	77.5	65	70	115	GN 911-M10-55	GN 911-M10-63	1275
GN 288-B50-B42-T-2-*	B 50	B 42	65	M 10	M 10	74	65	230	77.5	65	70	115	GN 911-M10-55	GN 911-M10-63	1275
GN 288-B50-B45-T-2-*	B 50	B 45	65	M 10	M 10	74	65	230	77.5	65	70	115	GN 911-M10-55	GN 911-M10-63	1270
GN 288-B50-B48-T-2-*	B 50	B 48	65	M 10	M 10	74	65	230	77.5	65	70	115	GN 911-M10-55	GN 911-M10-63	1265
GN 288-B50-B50-T-2-*	B 50	B 50	65	M 10	M 10	74	65	230	77.5	65	70	115	GN 911-M10-55	GN 911-M10-63	1255

Weight BL

